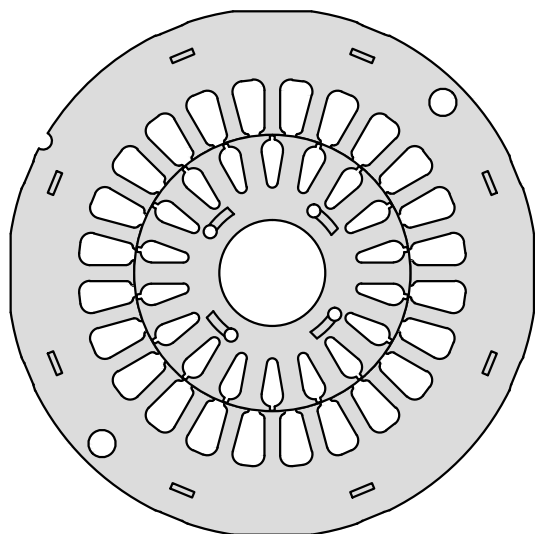
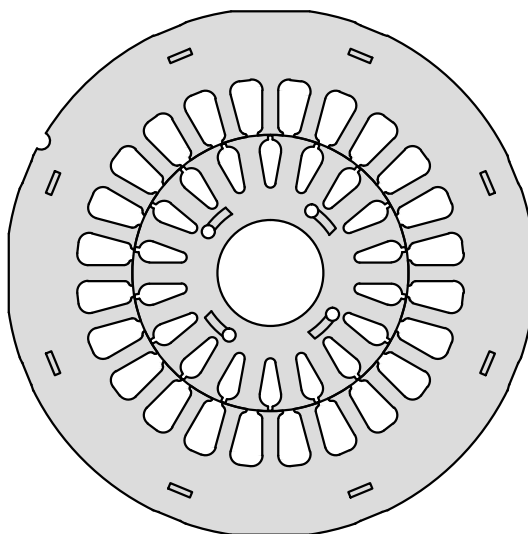


Induction Motor Core

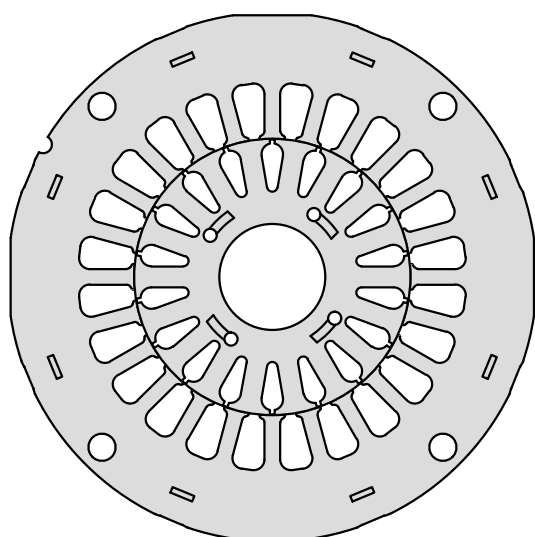
TYPE:CB(2H)



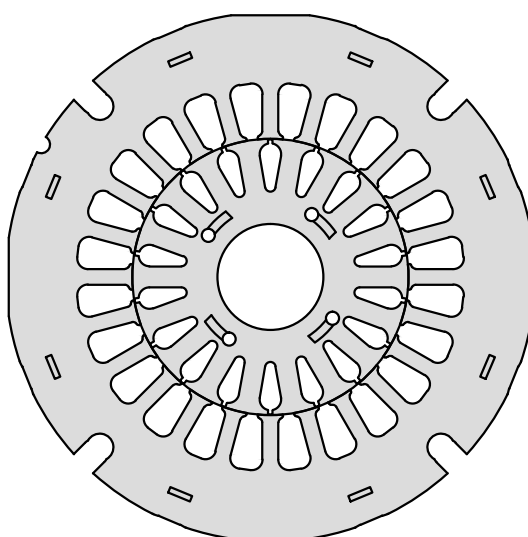
TYPE:CC



TYPE:CB(4H)



TYPE:CAB(4.6)4H



Unit:mm

$\phi 90 \times \phi 47C$			
STATOR		ROTOR	
O.DxI.D	SLOT	O.DxI.D	SLOT
90x47	24	47x <small>8.05/10.05/11.55/12 12.05/14/15.98/17/18</small>	18