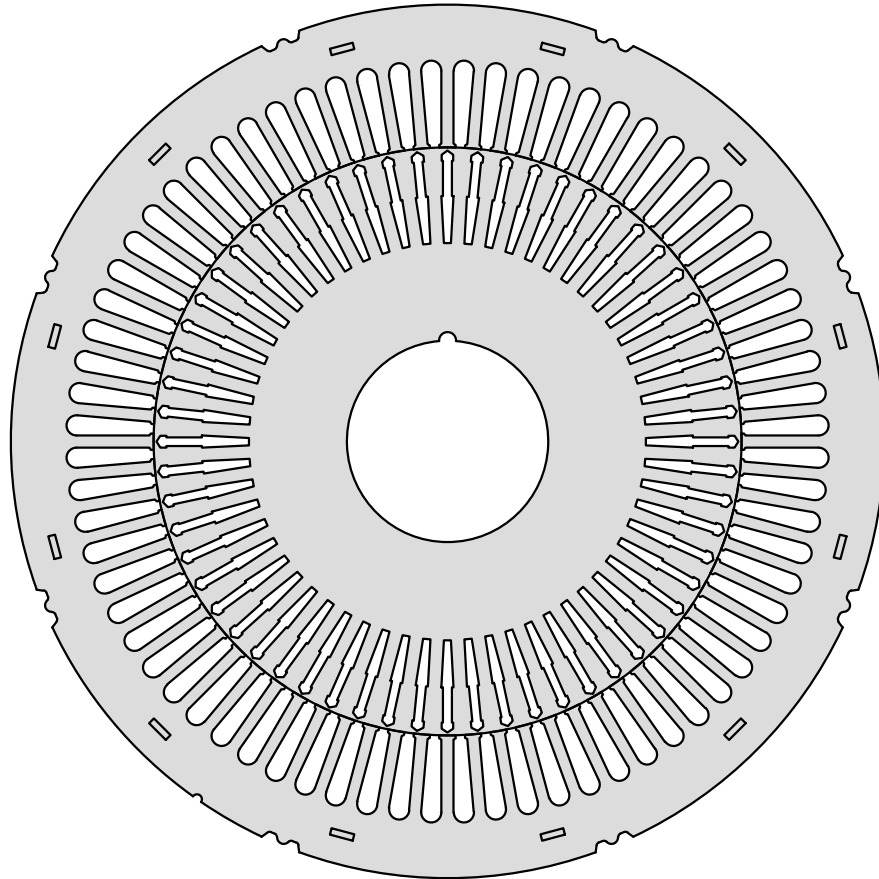


Induction Motor Core



Unit:mm

$\phi 260 \times \phi 175$			
STATOR		ROTOR	
O.DxI.D	SLOT	O.DxI.D	SLOT
260x175	72	175x60/50	60



麗鋼工業股份有限公司
LEICONG INDUSTRIAL CO., LTD.