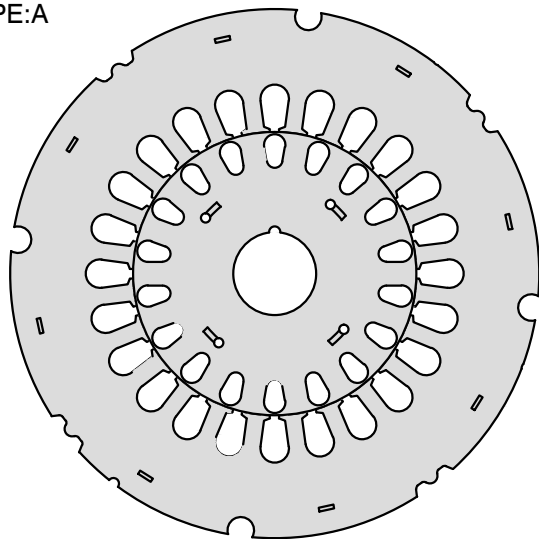


Induction Motor Core

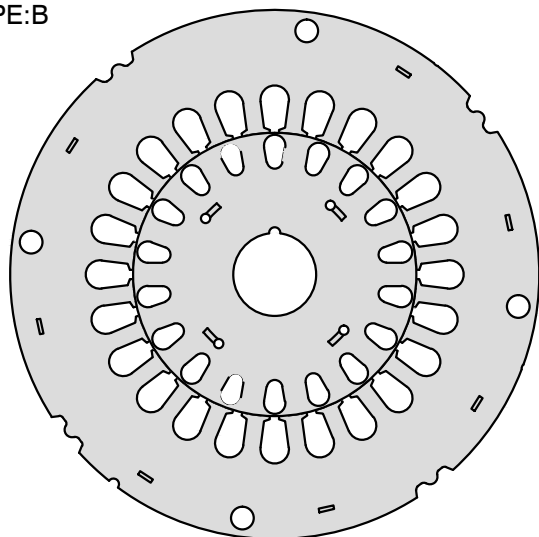
TYPE:A



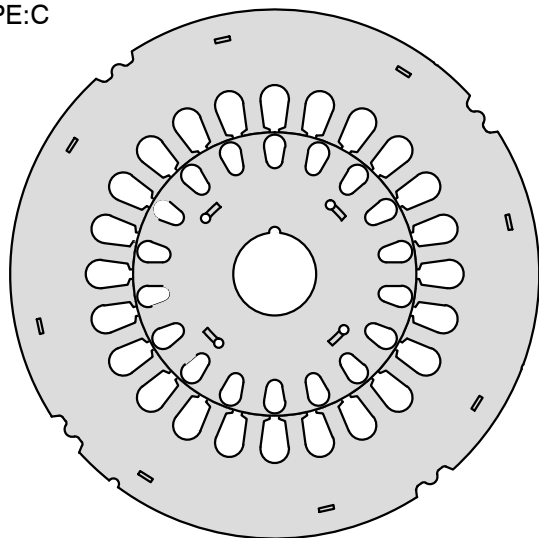
Unit:mm

$\phi 140 \times \phi 75$			
STATOR		ROTOR	
O.DxI.D	SLOT	O.DxI.D	SLOT
140x75	24	75x17/20/22/25/27	18

TYPE:B



TYPE:C



麗鋼工業股份有限公司
LEICONG INDUSTRIAL CO., LTD.