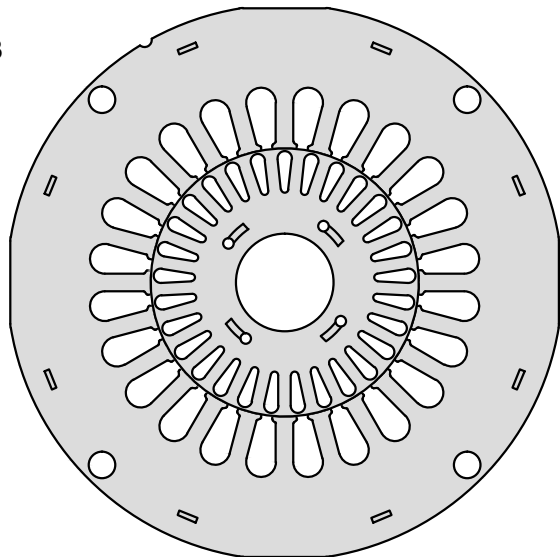


# Induction Motor Core

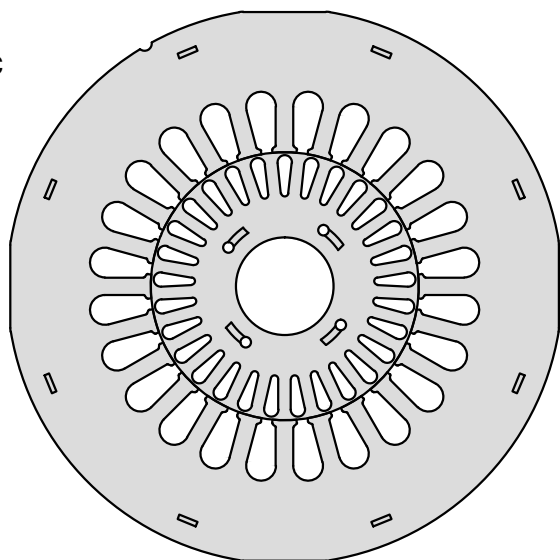
TYPE:B



Unit:mm

$\phi 114 \times \phi 55$			
STATOR		ROTOR	
O.DxI.D	SLOT	O.DxI.D	SLOT
114x55	24	55x $\frac{12.05/14/15.05}{16/18/20}$	29

TYPE:C



麗鋼工業股份有限公司  
LEICONG INDUSTRIAL CO., LTD.