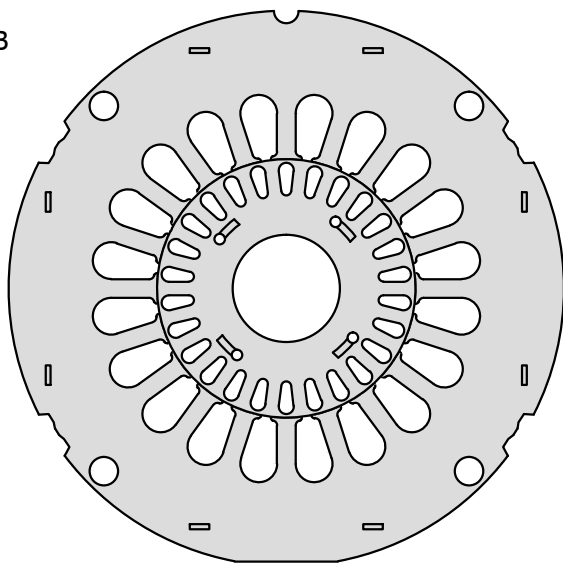


Induction Motor Core

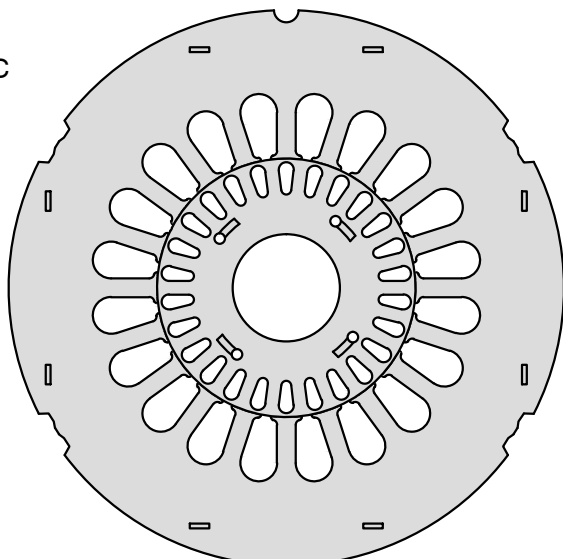
TYPE:B



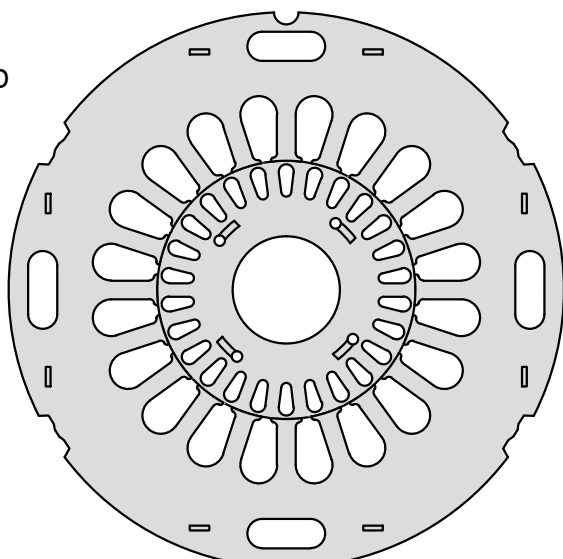
Unit:mm

| $\phi 114 \times \phi 53$ | | | |
|---------------------------|------|--|------|
| STATOR | | ROTOR | |
| O.DxI.D | SLOT | O.DxI.D | SLOT |
| 114x53 | 20 | 53x ^{12/14/15.05} _{16/18/22} | 26 |

TYPE:C



TYPE:D



麗鋼工業股份有限公司
LEICONG INDUSTRIAL CO., LTD.