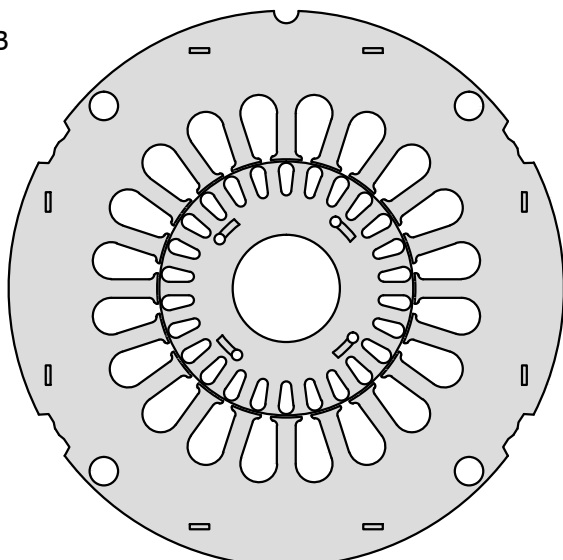


Induction Motor Core

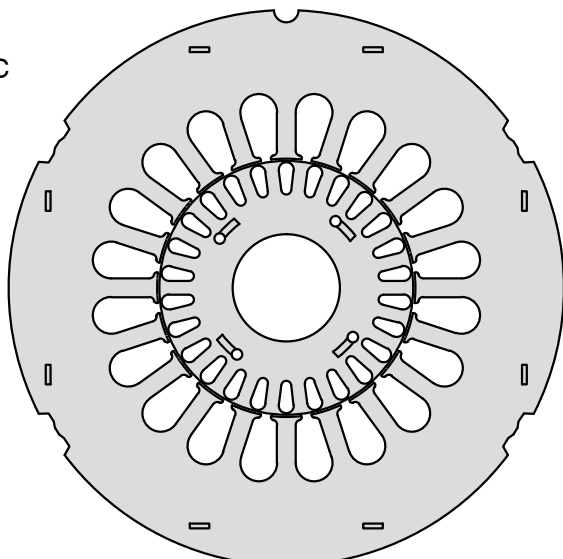
TYPE:B



Unit:mm

| $\phi 114 \times \phi 52.15$ | | | |
|------------------------------|------|---------------------------------------|------|
| STATOR | | ROTOR | |
| O.DxI.D | SLOT | O.DxI.D | SLOT |
| 114x53 | 20 | 52.15x $\frac{12/14/15.05}{16/18/22}$ | 26 |

TYPE:C



TYPE:D

