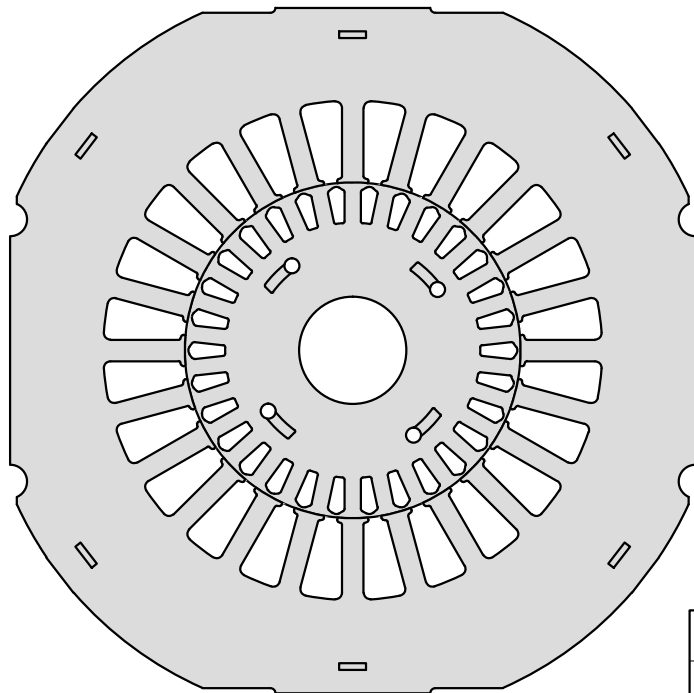
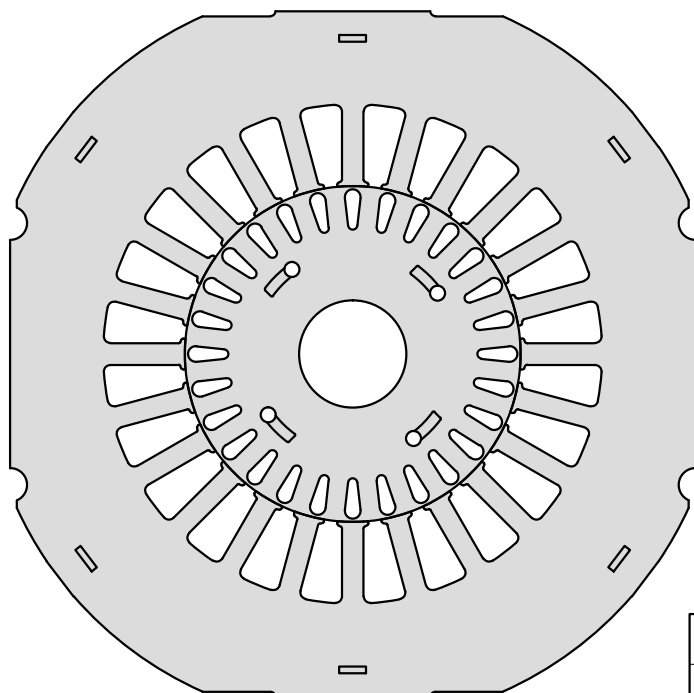


# Induction Motor Core



Unit:mm

$\phi 110 \times \phi 50$			
STATOR		ROTOR	
O.DxI.D	SLOT	O.DxI.D	SLOT
110x50	24	50x16/18/19	30



Unit:mm

$\phi 110 \times \phi 50$			
STATOR		ROTOR	
O.DxI.D	SLOT	O.DxI.D	SLOT
110x50	24	50x16/18/19	28



麗鋼工業股份有限公司  
LEICONG INDUSTRIAL CO., LTD.